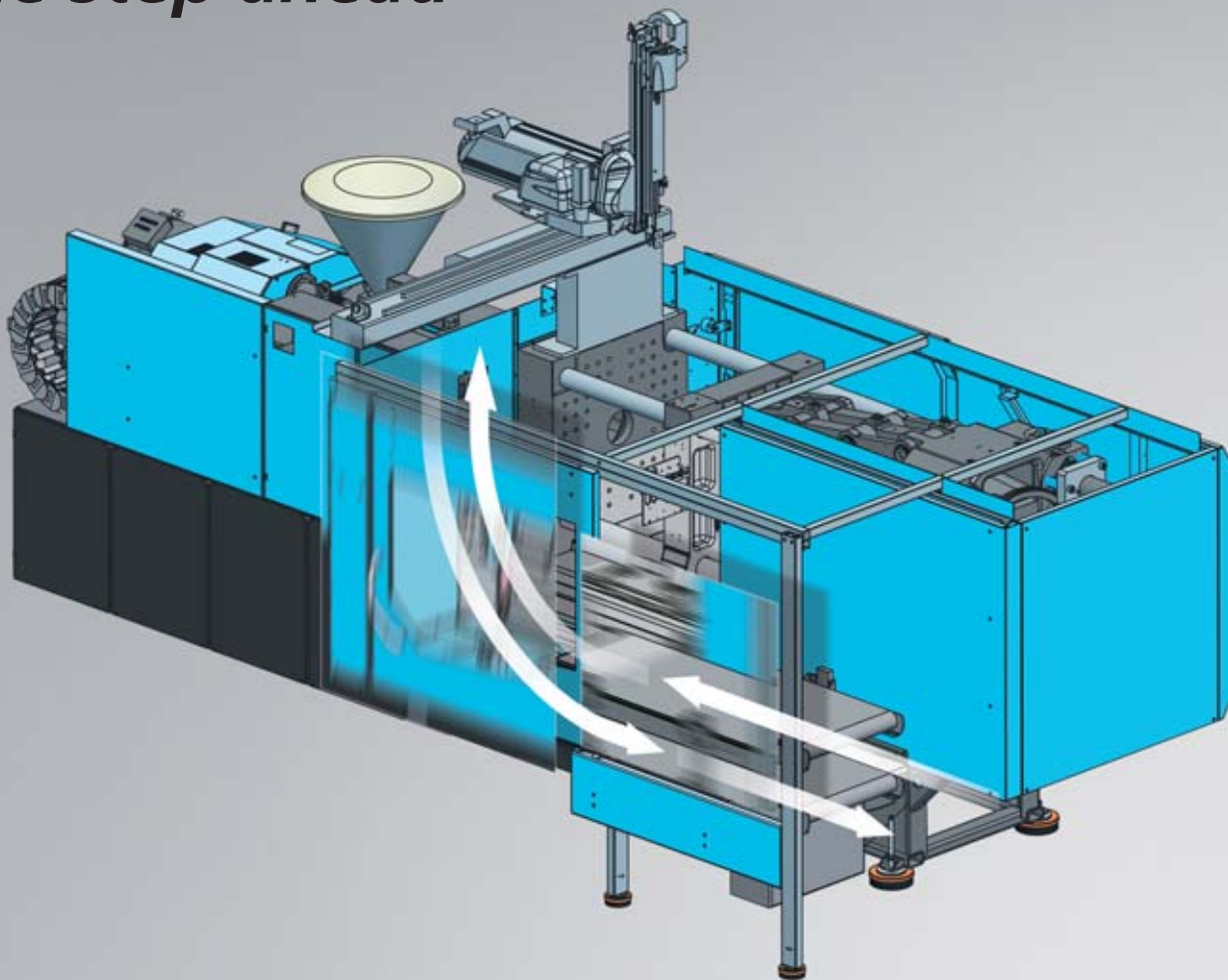


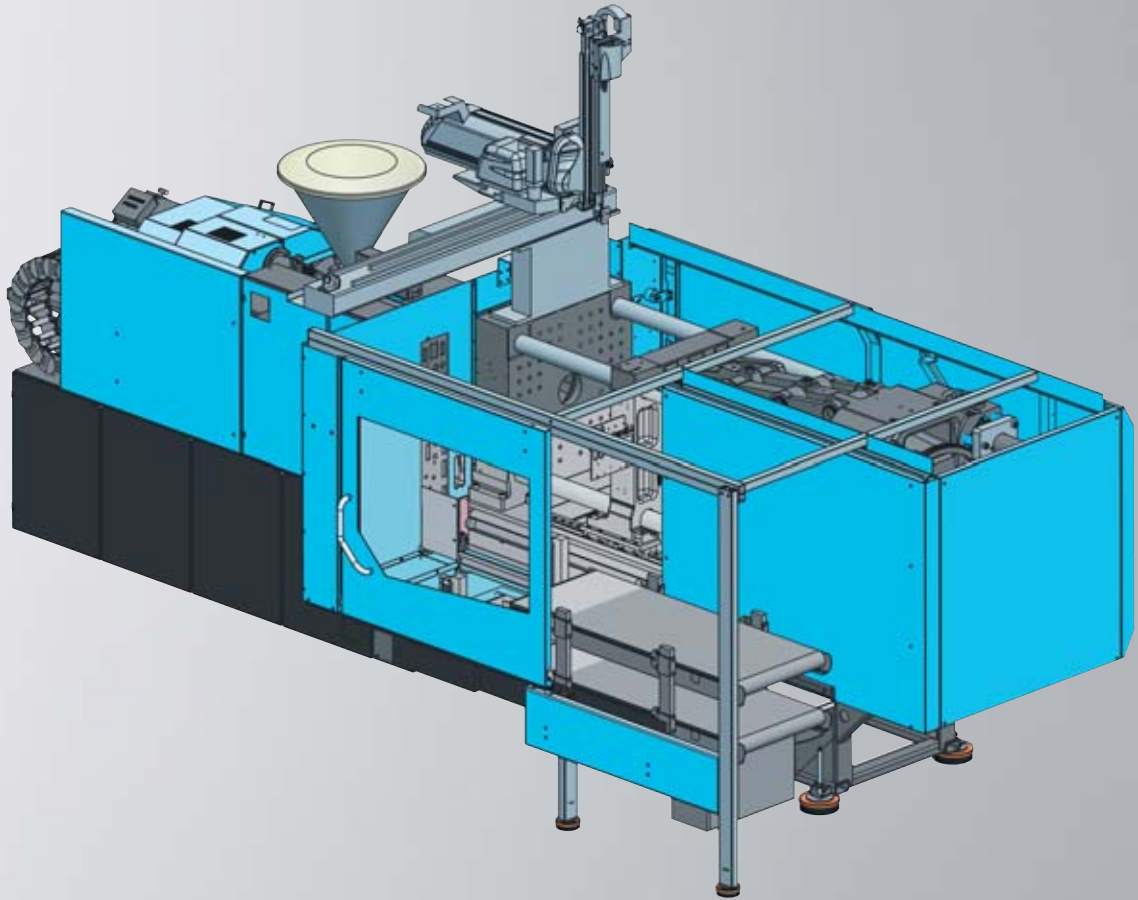
*Automatically always
one step ahead*



Demag *Plastics Group*

*The modular system for
bespoke automation*

AUTOMATION SOLUTIONS FOR SPECIFIC TASKS



Benefits

- Custom configurable for different fields of application
- Exceptionally space-saving machine design
- Short commissioning period will enable early production start-up
- Simplified automation design reduces planning effort
- Standardised components lead to attractive pricing

Versatile through modular building block system

- The modules are interchangeable thanks to standardised outer dimensions and interfaces
- All modules afford easy access to the mould at the rear of the machine
- Automation modules are available from Demag Plastics Group in two sizes

The decisive step: Efficiently convincing

End users expect the products they choose to meet highest standards of quality. Manufacturers find themselves confronted with ever keener competition on the global market. There is no room for compromise in this situation – neither in respect of moulded part quality nor in terms of economics.

Automating your injection moulding will enable you to

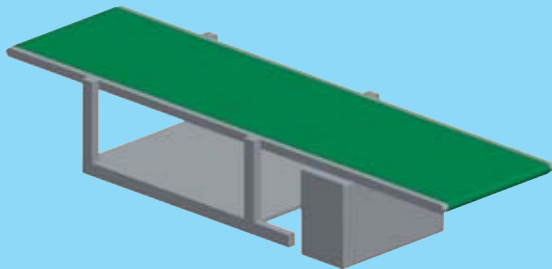
- increase productivity and economic efficiency
- make processes more transparent
- reduce defect sources and
- reduce inspection and quality assurance effort.

The next step: Flexibly coping with all requirements

Automation modules developed by Demag Plastics Group simplify automation project planning – which often tends to be complex – and the associated work for the customer. This helps to ensure attractive pricing. Depending on requirements, Demag automation solutions can be custom configured for specific needs. Outer dimensions and interfaces of the components are standardised and substitution of individual components for modules of equal size is done quickly and in a simple manner. Thanks to their small footprint, the machines take up little floor space. If necessary, they can be easily relocated to other sites with their entire automation.

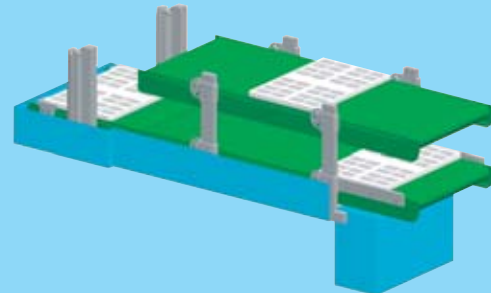
Always prepared whatever the task:

Automated injection moulding technologies for specific tasks: Demag Plastic Group's offering includes a comprehensive set of modular components which provides a suitable solution even for exceptional requirements.



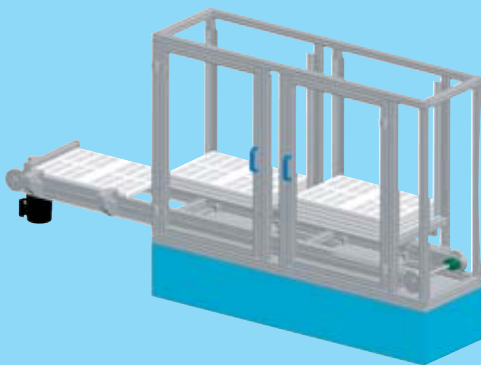
Belt conveyors of different widths

Integrated depositing conveyors are available with a width of 500 mm for IM machines with a clamping force of up to 160 tonnes or with a width of 700 mm for machines up to 280 tonnes.



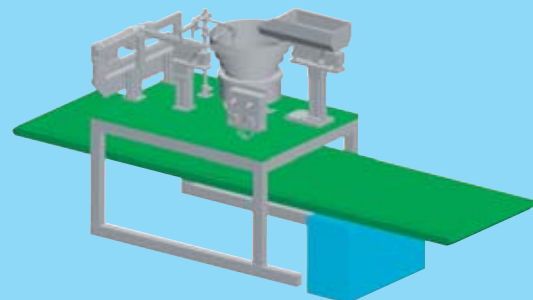
Two-level tray conveyors

Delivery and removal of the trays is carried out on two levels. On the upper level, the trays are delivered to the machine and, on the lower level, they leave the machine enclosure again. Inside the enclosure, there is an elevator which lifts the trays onto the removal belt. Conveying modules can be installed in IM machines of up to 160 tonnes with tray widths up to 400 mm. Tray conveyor units with widths up to 600 mm are available for IM machines from 210 to 280 tonnes clamping force.



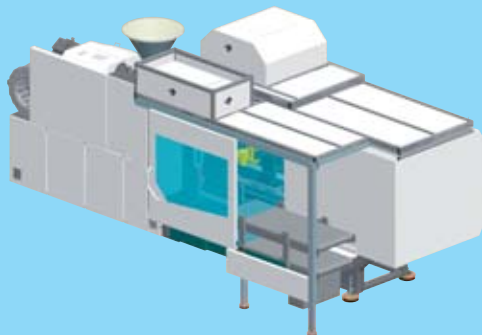
Tray conveyor with unstacking function

In addition to non-stacking tray conveying, there is an unstacking version available which permits the delivery of stacked trays. Inside the enclosure, the trays are unstacked and after filling stacked again. Conveying modules for tray widths up to 400 mm can be installed in IM machines up to 160 tonnes. Tray conveyors with widths up to 600 mm are available for IM machines from 210 to 280 tonnes clamping force.



Vibratory feeder and belt conveyor for inserts

Like the non-stacking tray conveyor, this vibratory feeder version operates on two levels: the inserts are separated and delivered one at a time to the robot for insertion into the mould. The finished moulded parts are deposited onto the belt conveyor underneath the vibratory feeder to exit the enclosure. Demag's engineers will be pleased to assist you in configuring the vibratory feeder installation.



Top performance also in cleanroom applications

Demag automation modules lend themselves also to tasks in clean rooms. In this case, the laminar-flow boxes are mounted above the mould space and above the automation modules. The robots used for this range of equipment are of the 6-axis, suspended type.



The right robot

Complex requirements call for suitable robot solutions. Demag experts will assist you in deciding whether to go for linear parts-handling equipment or a suspended type 6-axis robot. Demag robots come ready for use and are connected via an integrated data interface to the control system of the machine.

Asia

Demag (Malaysia) Sdn Bhd
15-E, 5th Floor, Block 1
Worldwide Business Park
Jalan 13/50, Section 13
40000 Shah Alam
Selangor Darul Ehsan, Malaysia
Tel.: +60-3-55 12 97 40
Fax: +60-3-55 12 97 60
E-Mail: dpa@demag.com.my

Brazil

Demag Ergotech Brasil Ltda.
Av. Ceci, 608 – Galpao B11
Tamboré
06460-120 Barueri (SP)
Tel.: +55-11-41 95-41 12
Fax: +55-11-41 95-41 13
E-Mail: brasil@demag-ergotech.com.br

China

Demag Plastics Machinery (Ningbo) Co., Ltd.
No.669, Kunlunshan Road, Beilun District,
Ningbo, 315800, Zhejiang Province, P.R.China
Tel.: +86-5 74-86 18 15 00
Fax: +86-5 74-86 18 15 18
E-Mail: sales.cn@dpg.com

China

Demag Ergotech GmbH
Shanghai Rep. Office
6F, No. 1221, Hami Road,
Shanghai 200335, China
Tel.: +86-21-52 19 50 00
Fax: +86-21-52 19 62 50
E-Mail: shanghai@demag-ergotech.com.cn

CIS

Mannesmann Demag Plastservice
Prombaza OAO „Stroitransgaz“
d.Ascherino
Leninskiy raion
142717 Moscow region
Tel.: +74-95-9 37 97 64
Fax: +74-95-9 33 00 78
E-Mail: info.plastservice@dpg.com

France

Demag Ergotech France sas
Zac du Mandinet
9, rue des Campanules
77185 Lognes
Tel.: +33-1-60 33 20 10
Fax: +33-1-60 06 28 89
E-Mail: detf@dpg.com

Germany

Demag Ergotech GmbH
Werk Schwaig
Altdorfer Str. 15
90571 Schwaig
Tel.: +49-9 11-50 61-0
Fax: +49-9 11-50 61-2 65
E-Mail: info-dpde@dpg.com

Germany

Demag Ergotech GmbH
Werk Wiehe
Donndorfer Str. 3
06571 Wiehe
Tel.: +49-3 46 72-97-0
Fax: +49-3 46 72-97-333
E-Mail: info-dpde@dpg.com

India

L&T-Demag Plastics Machinery Limited
Mount-Poonamallee Road
Manapakkam/Chennai 600 089
Tel.: +91-44-22 49-04 32
Fax: +91-44-22 49-49 52
E-Mail: nss@ltdemag.com

Italy

Demag Plastics Group Italia s.r.l.
Via Bassano 3
03012 Anagni (FR)
Tel.: +39-07 75-77 20 04
Fax: +39-07 75-77 20 04
E-Mail: lido.ghirlandini@dpg.com

Poland

Demag Plastics Group Sp. z o.o.
ul. Jagiellońska 81-83
42-200 Częstochowa
Tel.: +48-34-3 70 95 40
Fax: +48-34-3 70 94 86
E-Mail: info@demag.pl

Spain

Demag Ergotech España, S.L.
Pol. Ind. Can Calderón
Avd. Riera de Fonollar
Esquina C/Murcia, nº37-A, Nave F
08830 – Sant Boi de Llobregat (Barcelona)
Tel.: +34-93-6 52 95 30
Fax: +34-93-6 54 78 10
E-Mail: angel.lozano@dpg.com

United Kingdom

Demag Hamilton Ltd.
Hamilton House, Broadfields
Bicester Road, Aylesbury
Bucks, HP19 8AY
Tel.: +44-12 96-31 82 00
Fax: +44-12 96-42 62 22
E-Mail: salesUK@dpg.com

USA

Demag Plastics Group Corp.
11792 Alameda Drive
Strongsville, Ohio 44149-3011
Tel.: +1-4 40-8 76-89 48
Fax: +1-4 40-8 76-64 39
E-Mail: info-dc@dpg.com

The responsibility to ensure that everything runs smoothly

Many moulders today operate three shifts, some on 365 days of the year – this calls for a maximum of availability of the machines, spare parts, and service support.

Backed by highly skilled service teams, advanced spare parts logistics, and multiple service levels to address a customer's specific needs, we provide total support world-wide: from straightforward inspections through comprehensive maintenance, and extended warranties for high capacity utilisation levels to emergency hotline support, and training of your personnel.

Full documentation and a digital catalogue ensure that spare parts are delivered to you in a minimum of time, usually within a few hours. Users of older machines can have them upgraded by our retrofit service at fair prices, for instance, by state-of-the-art control software or for specialised injection-moulding processes. In short, the Demag Service provides you with whatever support you need to complete your jobs efficiently and to schedule.

Demag Plastics Group

www.dpg.com